

Vernis Shape

Single lever basin mixer 190 with isolated water conduction without waste set

Finish: **Chrome** Article Number: **71591000**



Description

product features

- ComfortZone 190
- projection: 181 mm
- spout height: 190 mm
- handle variant: lever handle
- spray type: normal spray
- swiveling spray former
- maximum flow rate at 3 bar: 5 l/min
- ceramic cartridge
- with isolated water conduction - without contact with nickel and lead
- suitable for continuous flow water heaters
- connection type: G 3/8 connections
- connection dimension: DN15

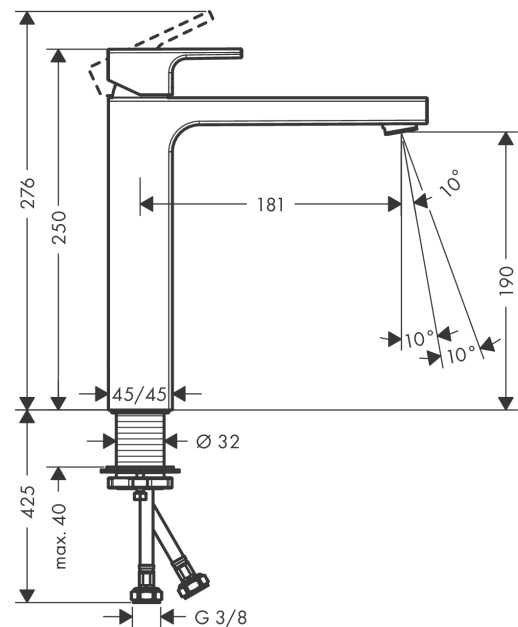
Technology



Product image



Scale drawing



Flowchart

